



Clearly different.
Clearly better.



Clearview HCG

A one-step test for the rapid, accurate and **highly sensitive detection of hCG in urine**

Early detection of pregnancy reduces the risks to mothers and their babies by:

- Altering behaviour, such as reducing alcohol or stopping smoking
- Increasing the intake of folic acid for a healthier pregnancy
- Avoiding foods, infections or treatments that could cause miscarriages or birth defects

Features

- Results in 3 minutes
- Sensitive to 25mIU/ml
- Proven accuracy of >99%
- Inbuilt procedural control
- Just one-step
- "No counting" pipette
- Room temperature storage
- Long shelf life

Benefits

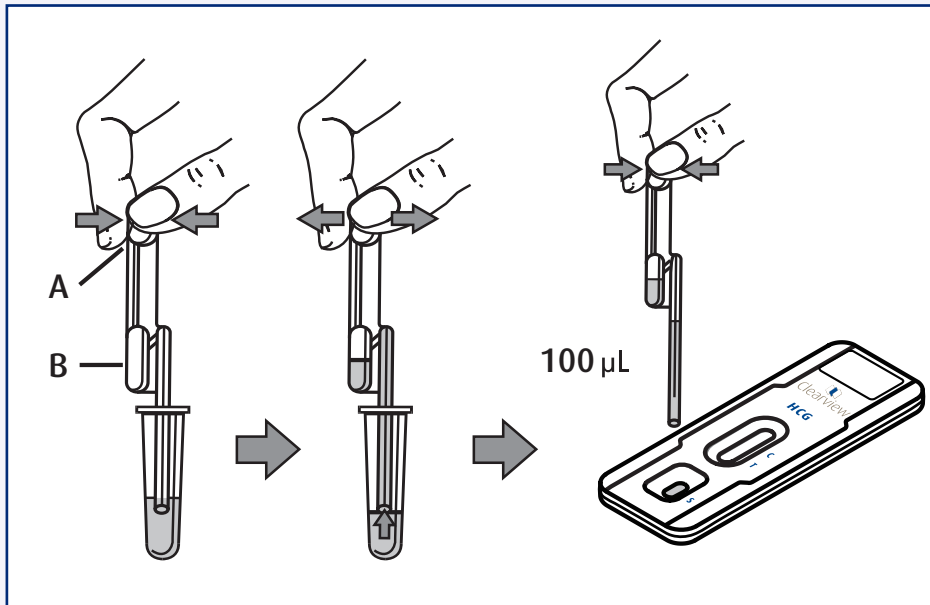
- Rapid
- Ability to detect pregnancy on day of missed period
- Reliable
- Confirmation that the test has been performed correctly
- Easy to use, minimal training required
- Exact sample volume
- Ready to use, leaves valuable refrigerator space free
- Small volume users need not worry that product will expire before used

Clearview HCG

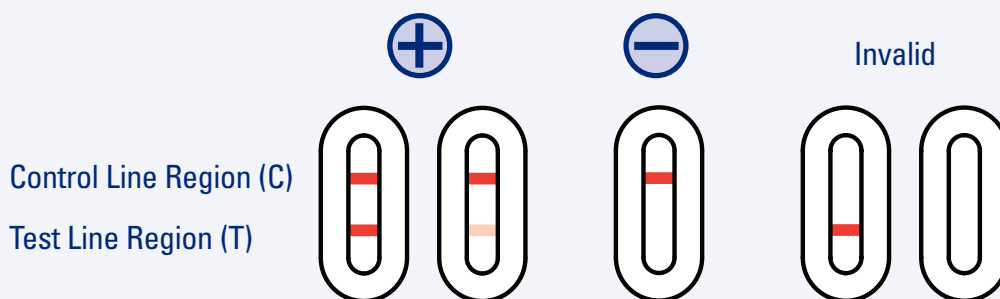
HCG detection made simple

1 Use "No counting" pipette to obtain the correct sample volume.

2 Dispense set volume of sample carefully on to Sample Well.



3 Test must be read 3 minutes after applying sample. A coloured line must appear in Control Line Region (C) to indicate test has worked correctly. Any result that appears after 3 minutes should be ignored.



See package insert for complete instructions.



**Inverness Medical has
changed it's name to Alere**
0161 483 5884
ukcustomer@alere.com
www.alere.co.uk

BRCV10 V2.0 hCG

Product Information

Cat No:	506788
Kit Size	20 Tests
Shelf Life	24 Months
Storage	2 - 30°C
Sample Type	Urine
Time to Result	3 minutes

Sensitivity 25mIU/ml

Specificity 100%

Accuracy >99%



Clearview

Clearly different.
Clearly better.

www.clearview.com