



Clearview[®] hCG (CV507300)

How to Use Guide

Clearview[®] hCG detection test is a rapid diagnostic device for the qualitative detection of human chorionic gonadotrophin (hCG) in urine. Below is a synopsis of how to use the test. Please observe the usual health and safety guidelines and ensure that the test is suitable for use. Please refer to the instructions for full information as this is merely a guide.

Step 1

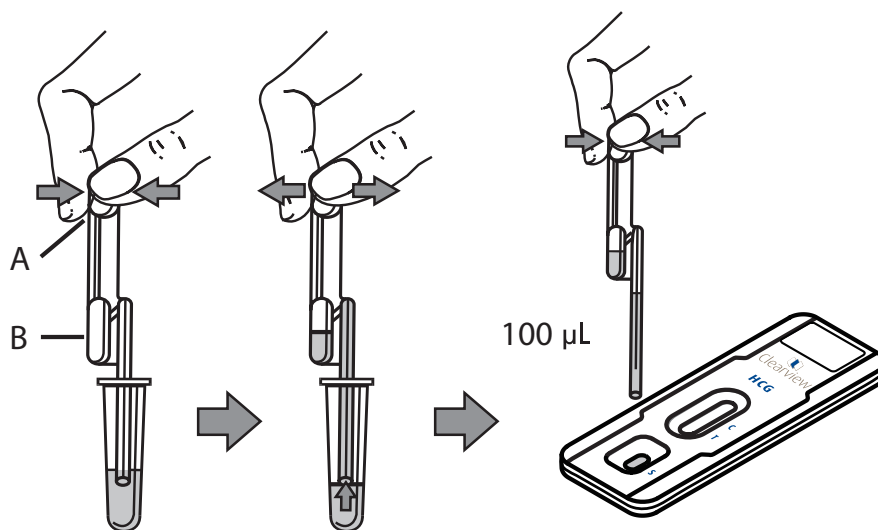
Use the “one shot” pipette to obtain the correct sample volume of urine.

Step 2

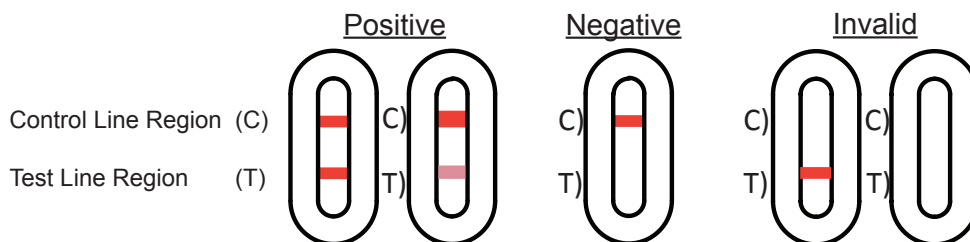
Dispense set volume of urine sample carefully on to sample pad.

Step 3

Test must be read 3 minutes after applying sample. A line must appear in the control window to indicate the test has worked correctly. Any result that appears after 3 minutes should be ignored.



Results



Please see instructions for use for full information.

If you have any further questions please contact us via the enquiry button on the product page.

For reference hCG positive and negative controls are available (510068). Please evaluate these in-house.